

Suction Elements



Specification:

Construction:

- Stainless steel media 30% glass-filled nylon head.
- Zintec centre tube.
- Epoxy adhesives.

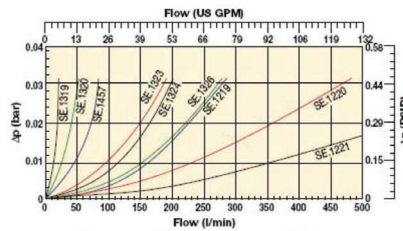
Maximum working temperature: +90°C

Filtration media: 125 micron*.

Flow range: 15-500 l/min

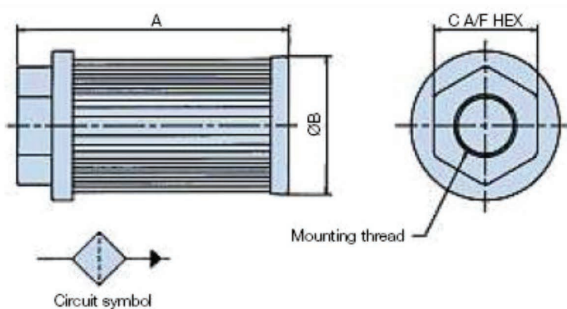
Bypass rating: 0.17 bar

Mounting threads: G1/2 up to G3.

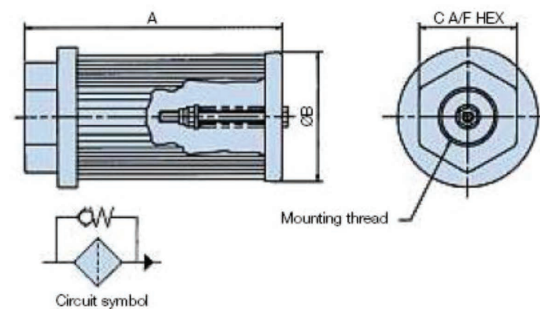


*Non standard elements are available to order. Consult Parker Filtration.

Installation - Suction Elements Without Bypass:



Installation - Suction Elements With Bypass:



Ordering Information - Without Bypass:

Part number	Air flow l/min	Ports BSP	Micron rating	Dimensions (mm)			Weight kg	Bypass rating
				A	B	C		
SE1319	15	1/2	125	105.5	46	36	0.08	N/A
SE1320	25	3/4	125	109.5	64	46	0.15	N/A
SE1457	50	1	125	139.5	64	55	0.17	N/A
SE1323	95	1 1/2	125	140	86	65	0.28	N/A
SE1324	130	1 1/2	125	200	86	65	0.33	N/A
SE1326	180	2	125	260	86	75	0.40	N/A
SE1219	225	2	125	150	150	70	0.64	N/A
SE1220	350	2 1/2	125	212	150	90	0.72	N/A
SE1221	500	3	125	272	150	100	0.92	N/A

Ordering Information - With Bypass:

Part number	Air flow l/min	Ports BSP	Micron rating	Dimensions (mm)			Weight kg	Bypass rating
				A	B	C		
SE5100	15	1/2	125	105.5	46	36	0.11	0.17 bar
SE5101	25	3/4	125	109.5	64	46	0.18	0.17 bar
SE5102	50	1	125	139.5	64	55	0.21	0.17 bar
SE5103	95	1 1/2	125	140	86	65	0.31	0.17 bar
SE5104	130	1 1/2	125	200	86	65	0.36	0.17 bar
SE5105	180	2	125	260	86	75	0.43	0.17 bar
SE5106	225	2	125	150	150	70	0.67	0.17 bar
SE5107	350	2 1/2	125	212	150	90	0.75	0.17 bar
SE5108	500	3	125	272	150	100	0.95	0.17 bar